

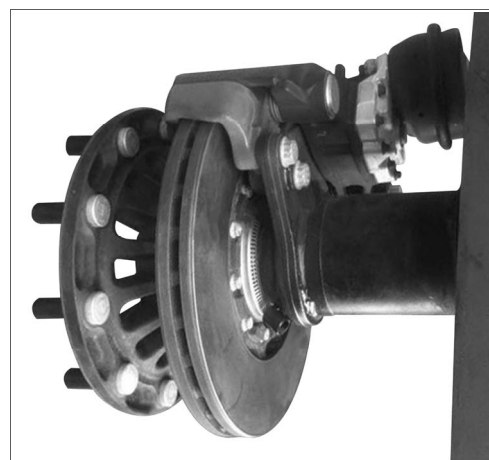
# GEDORE

TOOLS FOR LIFE

**Socket, Size (waf) 13mm,  
bi-hex, 1/2"**



**KL-1071-1013**



1071-1013e170311.docx

**GEDORE Automotive GmbH**

Breslauer Straße 41  
78166 Donaueschingen

Postfach 1329  
78154 Donaueschingen - GERMANY

Phone.: +49 (0) 771 / 8 32 23-0  
Fax: +49 (0) 771 / 8 32 23-90

Email: [info@gedore-automotive.com](mailto:info@gedore-automotive.com)  
Internet: [www.gedore-automotive.com](http://www.gedore-automotive.com)

KL-1071-1013



**1/2"**

**KL-1071-1013 Socket, Size (waf) 13mm, bi-hex, 1/2"**

Suitable for use on HGVs with SAF axle.

**Field of Application**

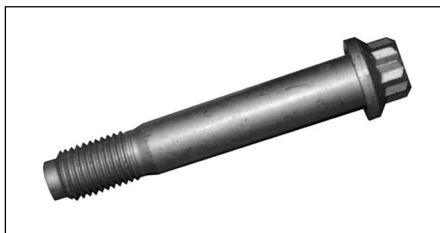
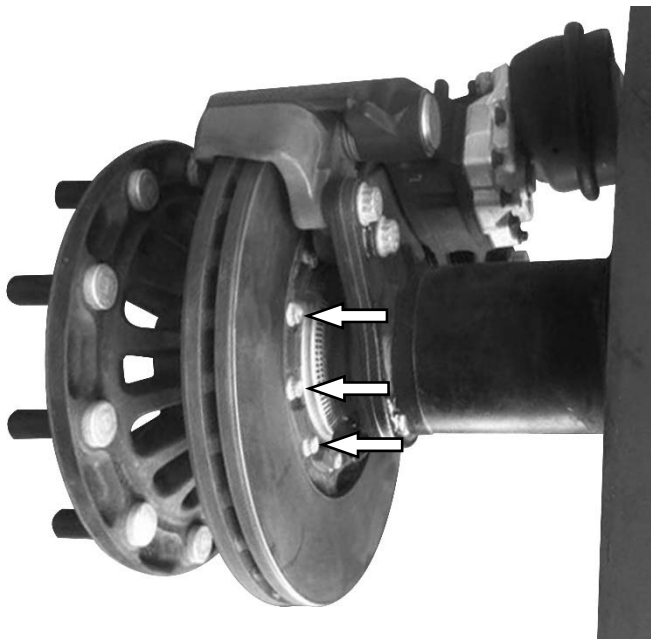
Necessary for the loosening and tightening of the bolted connections of brake discs on SAF axles.

Reinforced design, suitable for use with an impact wrench.

**Scope of Delivery**

Pos.	Part No.	Description	Qty
-	KL-1071-1013	Socket, Size (waf) 13mm, bi-hex, 1/2"	1

**Example of use:**



**Technical Data**

Drive:..... 1/2"

Size (waf):..... 13mm

Profile:..... bi-hex

Length:..... 38mm

**⚠ Warnings and Notes**

- Before putting the tool into operation, carry out a visual check to make sure that it is not damaged.
- Always refer to the vehicle manufacturer's data and instructions as only these apply to all work that is carried out on the vehicle.