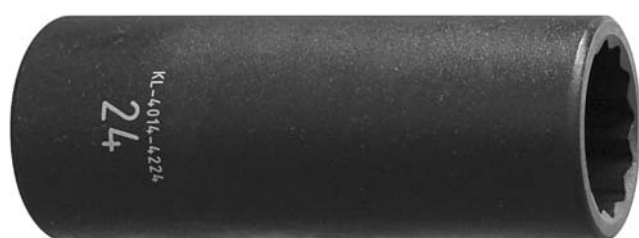


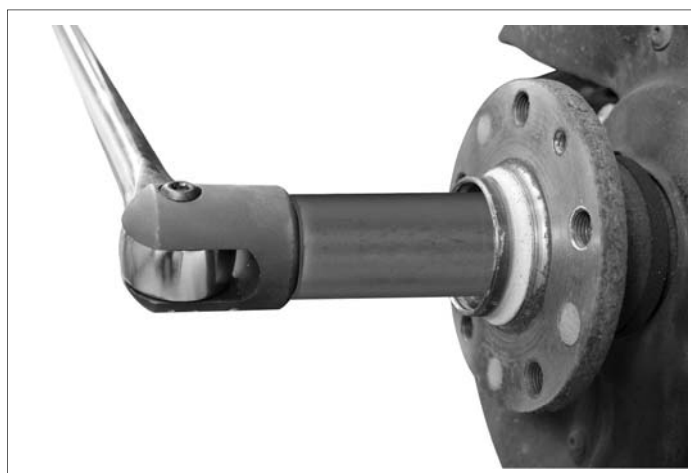
GEDORE

TOOLS FOR LIFE

Special Bi-Hex Socket, waf 24 mm



KL-4014-4224



4014-4224e150711.docx

GEDORE Automotive GmbH

Breslauer Straße 41
78166 Donaueschingen

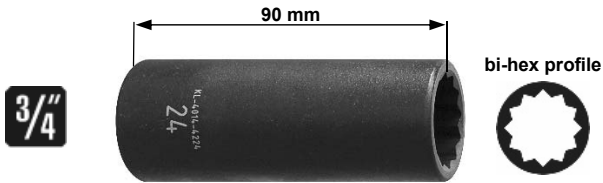
Postfach 1329
78154 Donaueschingen - GERMANY

Phone: +49 (0) 771 / 8 32 23-0
Fax: +49 (0) 771 / 8 32 23-90

Email: info@gedore-automotive.com
Internet: www.gedore-automotive.com

KL-4014-4224

VW-Audi,
Seat, Skoda



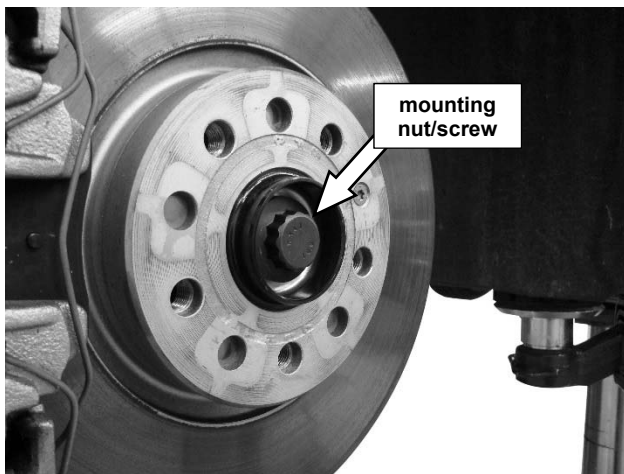
KL-4014-4224 - Special Bi-Hex Socket, waf 24 mm

Suitable for VW: Golf (VI, VII), Scirocco, Tiguan, Touran, Passat (3C), Passat CC; Audi: A3, TT; Seat: Leon, Altea; Skoda: Oktavia (1Z), Superb (3T) etc.

Field of Application

The special socket is designed to loosen and tighten the mounting nuts/screws that are found on rear and front axle drive shafts, wheel bearings, as well as on gearbox and differential flanges. Ideal for loosening and tightening the drive shaft central mounting screw on VW-Audi, Seat, Skoda vehicles.

Application example:



Technical Data

Drive : 3/4"
Length : 90 mm
Width across flats : 24 mm
Profile : bi-hex

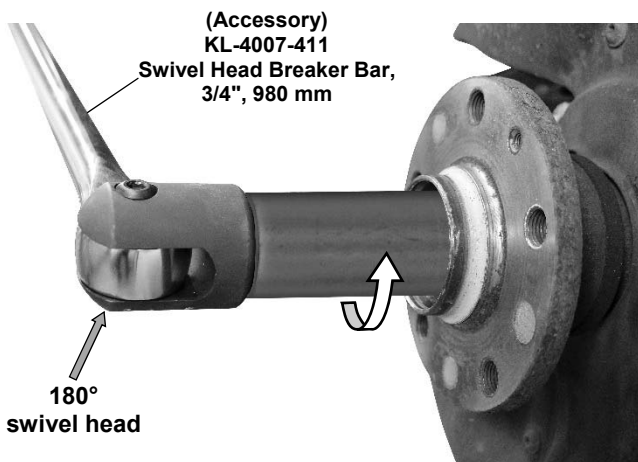
Accessory

KL-4007-411 - Swivel Head Breaker Bar, 3/4", 980 mm

Extra long design (980 mm), with 180° swivel head.
Ideal for loosening extremely tight/stuck screws.

Technical Data

Drive : 3/4"
Overall length : 980 mm



Warnings and Notes

- Before putting the tool into operation, visually check that it is not damaged.
- Any work on vehicles should only be performed by qualified specialist personnel observing and complying with the directions, provisions, and safety regulations specified by the vehicle manufacturer
- Always refer to the vehicle manufacturer's data and instructions as only these apply to all work that is carried out on the vehicle.