

# GEDORE

TOOLS FOR LIFE

## Pressing Device with 17t Hydraulic Cylinder, Suspension Ball Joint, Renault / Dacia



**KL-1210-22**  
**KL-1210-220**  
**KL-1210-221**



1210-22e171008

### GEDORE Automotive GmbH

Breslauer Straße 41  
78166 Donaueschingen

Postfach 1329  
78154 Donaueschingen - GERMANY

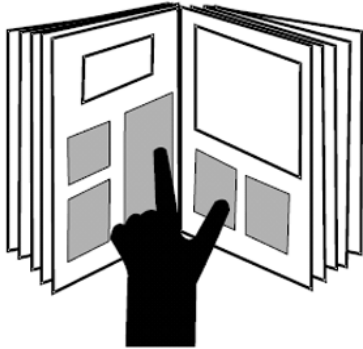
Phone.: +49 (0) 771 / 8 32 23-0  
Fax: +49 (0) 771 / 8 32 23-90

Email: [info@gedore-automotive.com](mailto:info@gedore-automotive.com)  
Internet: [www.gedore-automotive.com](http://www.gedore-automotive.com)

English

**en**

3 - 13



### Impressum

Im Zuge der Verbesserung und Anpassung an den Stand der Technik behalten wir uns Änderungen im Hinblick auf Aussehen, Abmessungen, Gewichte und Eigenschaften sowie Leistungen vor.

Damit ist kein Anspruch auf Korrektur oder Nachlieferung bereits gelieferter Produkte verbunden. Streichungen können jederzeit vorgenommen werden, ohne dass ein rechtlicher Anspruch entsteht.

Alle Hinweise zur Benutzung und Sicherheit sind unverbindlich. Sie ersetzen keinesfalls irgendwelche gesetzlichen oder berufsgenossenschaftlichen Vorschriften.

Für Druckfehler übernehmen wir keine Haftung.

Ein Nachdruck, auch auszugsweise, bedarf der vorherigen schriftlichen Zustimmung durch **GEDORE Automotive GmbH**.

Alle Rechte weltweit vorbehalten.

Wir verweisen auf unsere Allgemeinen Geschäftsbedingungen, ersichtlich im Impressum unter [www.gedore-automotive.com](http://www.gedore-automotive.com).

© Copyright by **GEDORE Automotive GmbH Donaueschingen (GERMANY)**

### Impressum/Legal Notice

As part of our commitment to continuous product improvement and adaptation to state-of-the-art technology, we reserve the right to make modifications to our products with regard to design, dimension, weight, features and performances at any time and without prior notice.

Thus, the right to adjustments or replacement deliveries of goods already delivered is excluded. Cuts and cancellations can be made by us at any time without notice and no legal claims against us may arise or be derived from this.

All indications regarding use and safety are given for information only and without any commitment. In no case do they substitute for legal provisions or the regulations of the Employer's Liability Insurance Association.

Errors and omissions excepted.

Any reproduction, also in extracts, is subject to the prior written consent of **GEDORE Automotive GmbH**.

All rights reserved.

We refer to our General Terms and Conditions of Sale under 'Imprint' at [www.gedore-automotive.com](http://www.gedore-automotive.com).

© Copyright by **GEDORE Automotive GmbH Donaueschingen (GERMANY)**

### Impressum / Mentions légales

En raison des améliorations continues que nous apportons à nos produits et pour assurer leur adaptation constante à l'évolution des techniques, nous nous réservons le droit de procéder à des modifications de nos produits quant à l'apparence, aux dimensions, aux poids, aux caractéristiques et aux performances à tout moment sans préavis et sans obligation de modifier ou de remplacer des produits précédemment livrés.

Des suppressions peuvent être effectuées à tout moment et sans préavis sans qu'elles puissent donner lieu à réclamation.

Toutes les instructions d'utilisation et conseils de sécurité sont donnés sans engagement de notre part. Ils ne se substituent en aucun cas aux réglementations légales en vigueur ou à celles émises par les associations professionnelles.

Le plus grand soin possible a été apporté à la rédaction de ce document. Toutefois, nous n'assumons aucune responsabilité pour des erreurs, omissions ou défauts d'impression éventuels.

Une reproduction, même en partie, ne peut être effectuée qu'après autorisation écrite préalable de **GEDORE Automotive GmbH**.

Tous droits réservés.


Vous trouverez nos conditions générales de vente, sous Impressum/Mentions légales sur [www.gedore-automotive.com](http://www.gedore-automotive.com).

© Copyright by **GEDORE Automotive GmbH Donaueschingen (GERMANY)**

**Table of Contents** 

	Page
<b>1. Essential Safety Notices .....</b>	<b>4</b>
1.1 Safety Notices and Warnings .....	4
1.2 Personal Protective Equipment .....	5
1.3 Intended Use .....	5
1.4 Safe and Proper Use .....	5
1.5 Work Environment.....	5
1.6 Target Group .....	5
<b>2. Product Description .....</b>	<b>6</b>
2.1 Scope of Delivery.....	6
2.2 Technical Data .....	6
<b>3. Preparatory Work.....</b>	<b>6</b>
3.1 Checking the Delivery: (See Fig. 1) .....	6
3.2 Preparing the Vehicle .....	6
3.3 Optional Use/Examples of Use.....	6
<b>4. Examples of Use:.....</b>	<b>7</b>
4.1 Suspension Ball Joint Removal/Installation (Hydraulic drive): .....	7
4.1.1 Removing the Suspension Ball Joint .....	7
4.1.2 Installing the Suspension Ball Joint.....	8
4.2 Suspension Ball Joint Removal/Installation (Mechanical drive):.....	9
4.2.1 Removing the Suspension Ball Joint .....	9
4.2.2 Installing the Suspension Ball Joint.....	10
4.3 Suspension Ball Joint Removal and Installation (Workshop press):.....	11
4.3.1 Removing the Suspension Ball Joint .....	11
4.3.2 Installing the Suspension Ball Joint.....	12
<b>5. Care and Storage .....</b>	<b>13</b>
<b>6. Accessories.....</b>	<b>13</b>
<b>7. Maintenance and Repair by the GEDORE AUTOMOTIVE Service Centre. ....</b>	<b>13</b>
<b>8. Spare Parts .....</b>	<b>13</b>
<b>9. Environmentally Safe Disposal .....</b>	<b>13</b>



## 1. Essential Safety Notices

-  Before using the pressing device, it is imperative that you read and understand the Instruction Manual. Misuse can lead to **SERIOUS INJURIES** and even **DEATH**.

This Instruction Manual is part of the pressing device.  
Keep the Instruction Manual in a safe place for future reference and pass it on to subsequent users of the pressing device.  
All vehicle-specific data stated herein are supplied under reserve and without commitment.

### 1.1 Safety Notices and Warnings

For better differentiation, the warning notices in this Instruction Manual are classified as follows:

Warning Sign	Signal Word	Meaning
	<b>WARNING</b>	Indicates a hazardous situation which, if not avoided, could result in <b>serious or fatal injuries</b> .
	<b>CAUTION</b>	Indicates a hazardous situation which, if not avoided, could result in <b>moderate or minor injuries</b> .
	<b>ATTENTION</b>	Indicates a situation which, if not avoided, may result in damage to the tool or its functioning, or to objects in its vicinity.

#### **WARNING**

When removing and installing suspension ball joints, there is a risk of the tool breaking. This will lead to parts becoming projectiles.

- Observe and do not exceed the maximum load capacity of the pressing device.
- Use hydraulic pump with pressure gauge **KL-0040-2529**.
- Only use the genuine spare parts from GEDORE Automotive.
- Always keep all parts of your body away from the axial extension of the press frame.

When removing/installing suspension ball joints with the aid of a workshop press, there is a danger of severe injuries caused by ejected parts, inappropriate support plates and operator errors.

- Make sure the suspension ball joint completely and properly bears against the press sleeve.
- Make sure the support sleeve is properly positioned on wishbone and aligned so as to enable the suspension ball joint to be removed without risk of collision.
- Make sure you use support plates that are the right size, with the largest possible contact surface, and a load capacity of more than 17 tonnes.
- Make sure the support sleeve is securely seated.
- Make sure the press sleeve along with retaining adaptor are securely seated.
- Make sure the wishbone and press/support sleeves are perfectly aligned with the hydraulic cylinder of the workshop press.
- Observe and do not exceed the maximum load capacity of the sleeve set.
- Observe and do not exceed the maximum load capacity of the workshop press.
- Read and adhere to the workshop press manufacturer's safety instructions and regulations.
- Only use the genuine spare parts and accessories from GEDORE Automotive.

#### **CAUTION**

The pressing device and wishbone can cause injuries to feet and toes if dropped.

- Secure pressing device against falling with safety belt **KL-0040-2590** (accessory) for example.
- Always wear safety shoes/boots.

#### **ATTENTION**

Risk of damage to press sleeve.

- Press sleeve may only be used in conjunction with the retaining adaptor.
- Remove dust boot from suspension ball joint to be replaced.
- Make sure the press sleeve completely and properly bears against the suspension ball joint.

Risk of damage to dust boot and suspension ball joint during installation.

- Make sure the support sleeve is properly positioned on wishbone and aligned so as to enable the suspension ball joint to be installed without risk of collision.
- Make sure the dust boot of the suspension ball joint does not get pinched during installation.
- Observe the installation position for the suspension ball joint specified by the vehicle manufacturer.

## 1.2 Personal Protective Equipment

ALWAYS wear personal protective equipment when using the pressing device.

The pressing device can cause mechanical hazards leading to injuries such as contusions, cuts or concussions.



**EYE PROTECTION** (see OSHA 29 CFR 1910.133 and ANSI Z87) designed to protect you from flying debris/parts must be worn when using the pressing device.

- Particles may be ejected at very high speed when working with the pressing device and could cause serious injuries to your eyes.



**SAFETY GLOVES** must be worn when using the pressing device.

- Working with the pressing device can cause skin abrasions and contusions.



**SAFETY SHOES/BOOTS** with slip-resistant soles and steel toe caps (see OSHA 29 CFR 1910.136 and ANSI 241) must be worn when using the pressing device.

- Falling parts can cause serious injuries to feet and toes.

## 1.3 Intended Use



The pressing device is only designed to remove and install the suspension ball joints that are found at the front axle wishbone of Renault and Dacia vehicles.

The pressing device may only be used for the purpose and in the manner as described in this Instruction Manual.

- Any other use can result in serious injuries or even death.

## 1.4 Safe and Proper Use

Take the following safety precautions to prevent injuries and damage that could be caused by improper handling or unsafe use of the pressing device.



Misuse can result in extremely severe injuries or even death.

- NEVER overload the pressing device.
- ALWAYS check the pressing device prior to EACH use in order to ensure that it is in good order and condition.
- ALWAYS replace all damaged and worn parts prior to using the tool.
- ONLY use the genuine spare parts and accessories from **GEDORE Automotive** on the pressing device.

## 1.5 Work Environment

For safety reasons, work with the pressing device should only be carried out in a safe and secure work environment.

- The workplace should be clean and uncluttered.
- The workplace should be sufficiently large and must be secured.

## 1.6 Target Group

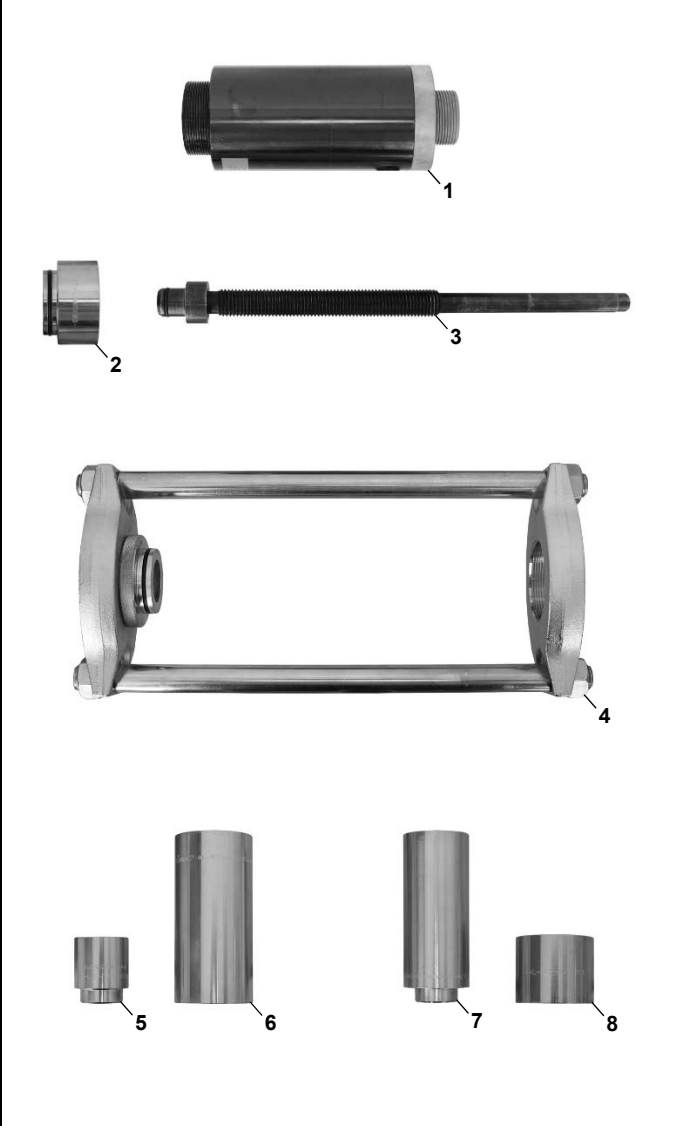
This Instruction Manual is intended for technicians/mechanics in workshops.

DO NOT allow children to use the pressing device.

The buyer of the pressing device **MUST** ensure that any person using the pressing device has read and understood this Instruction Manual prior to using the tool.

This Instruction Manual **MUST** be made available to the users of the pressing device for reference at all times.

Fig. 1: KL-1210-22



## 2. Product Description

### KL-1210-22 Pressing Device with 17t Hydraulic Cylinder, Suspension Ball Joint, Renault/Dacia

Suitable for use on the suspension ball joints at the front axle wishbone of Renault and Dacia vehicles.

For example, fitted to Renault Clio Grandtour, Clio III, Clio IV, Grand Scénic II, Mégane II, Modus / Grand Modus, Scénic II, Twizy, Zoe; Dacia Logan, Logan Express, Logan MCV, Logan Pick-up, Sandero, Sandero II.

For the quick, safe and professional removal and installation of the suspension ball joint found at front axle wishbones. Replacement of the suspension ball joint can be carried out in situ on the vehicle, within a few minutes, without the need for dismantling the wishbone.

**NOTE:** The hydraulic hand pump KL-0215-35 M25 (accessory) will be needed to drive the hydraulic cylinder KL-0040-2500.

### KL-1210-221 Sleeve Set for Suspension Ball Joint, Renault / Dacia

This sleeve set covers the same applications as the KL-1210-22, but is supplied without the drive set.

#### 2.1 Scope of Delivery

Pos.	KL-1210-22	KL-1210-221	Part No.	Description	Qty
1	•		KL-0040-2500	Hydraulic Cylinder, 17t	1
2	•		KL-0039-1002	Retaining Adaptor	1
3	•		KL-0039-1930	Pressure Spindle, M20x350	1
4	•		KL-0039-1140	Press Frame (lightweight, short design)	1
5	•	•	KL-0711-1111	Press Sleeve, short, Ø 38mm	1
6	•	•	KL-0039-1754	Support Sleeve, long, Ø 54mm/Ø 46mm	1
7	•	•	KL-0039-1746	Press Sleeve, long, Ø 46mm/Ø 38mm	1
8	•	•	KL-0039-1654	Support Sleeve, short, Ø 54mm/Ø 46mm	1

#### 2.2 Technical Data:

Inner length of press frame.....	275mm
Inner width of press frame:.....	115mm
Maximum load capacity of press frame:.....	12t
Maximum load capacity of sleeve set:.....	17t
Maximum load capacity of hydraulic cylinder:.....	17t

## 3. Preparatory Work

Before first use, check the pressing device and confirm you have all the parts listed in the scope of delivery. Then, read and follow the mounting instructions.

### 3.1 Checking the Delivery: (See Fig. 1)

### 3.2 Preparing the Vehicle:

1. Prepare vehicle and loosen and/or remove parts as necessary in accordance with the manufacturer's instructions.
2. Remove dust boot from suspension ball joint to be replaced. (Fig. 2)
3. Depending on type of suspension ball joint, remove snap ring (circlip) if present. (Fig. 3)

### 3.3 Optional Use/Examples of Use:

- ▶ Removal and installation with the aid of hydraulic drive: See section 4.1
- ▶ Removal and installation with the aid of mechanical drive: See section 4.2
- ▶ Removal and installation with the aid of a workshop press: See section 4.3

Fig. 2: Removing the dust boot.

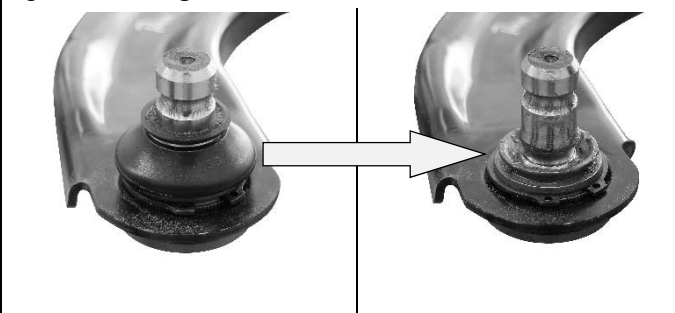


Fig. 3: Removing the snap ring if present (depending on the type of suspension ball joint).

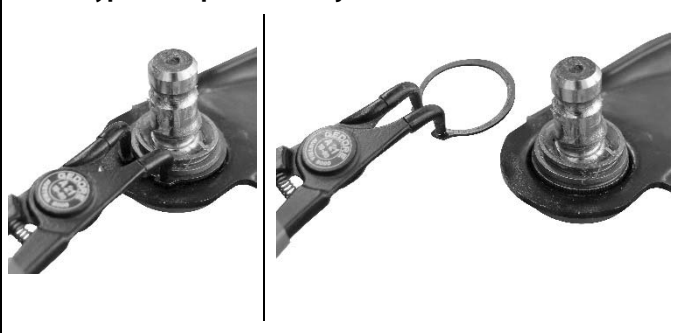


Fig. 4: Applying the press frame against the wishbone.

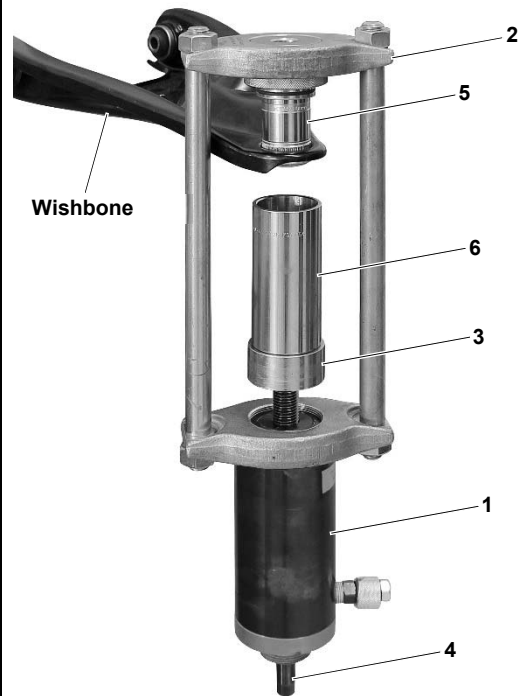
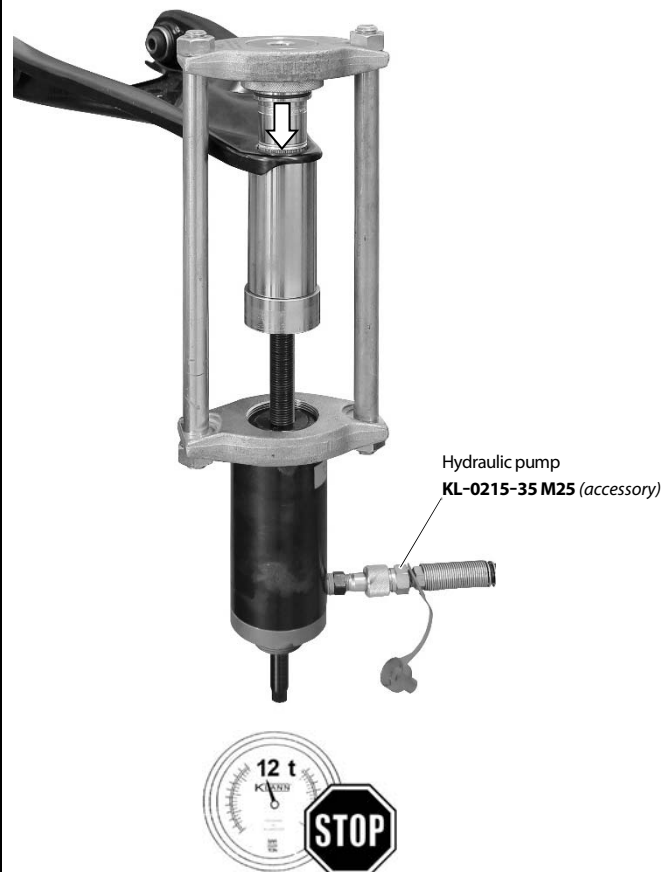


Fig. 5: Removing the suspension ball joint.



## 4. Examples of Use:

### 4.1 Suspension Ball Joint Removal/Installation (Hydraulic drive):

The following instructions describe how to remove/install a suspension ball joint from/to the front lower wishbone on a Dacia Logan, by using the pressing device in conjunction with a hydraulic drive.

(With Renault Clio II, the same procedure will apply.)

#### 4.1.1 Removing the Suspension Ball Joint

##### 1. **CAUTION**

The pressing device can cause injuries to feet if dropped.

- Secure pressing device against falling by means of safety belt **KL-0040-2590** (accessory) for example.
- Always wear safety shoes/boots.

Pre-assemble pressing device and apply it against wishbone as shown in **Fig. 4**.

##### 2. **ATTENTION**

Risk of damage to press sleeve '5' during the removal process.

- Remove dust boot from suspension ball joint to be replaced.
- Make sure that press sleeve '5' completely and properly bears against the suspension ball joint.

Manually screw in pressure spindle '4' until support sleeve '6' rests completely against wishbone.

##### 3. Connect hydraulic cylinder '1' to hydraulic pump **KL-0215-35 M25** (accessory).

##### 4. **WARNING**

When removing suspension ball joints, there is a danger of the tool breaking and falling to pieces.

This will lead to parts becoming projectiles.

- Observe and do not exceed the maximum load capacity of the pressing device.
- Use hydraulic pump with pressure gauge **KL-0040-2529**.
- Only use the genuine spare parts from GEDORE Automotive.
- Always keep all parts of your body away from the axial extension of the press frame.

Operate hydraulic pump, remove suspension ball joint (**Fig. 5**). When removing the suspension ball joint, always monitor the hydraulic pressure and necessary force on the pressure gauge of the hydraulic pump.

##### 5. Relieve pressure on hydraulic cylinder '1':

Withdraw pressing device along with suspension ball joint from wishbone.

##### 6. Withdraw press sleeve '5' and support sleeve '6' from pressing device.

Fig. 6: Applying the press frame against the wishbone.

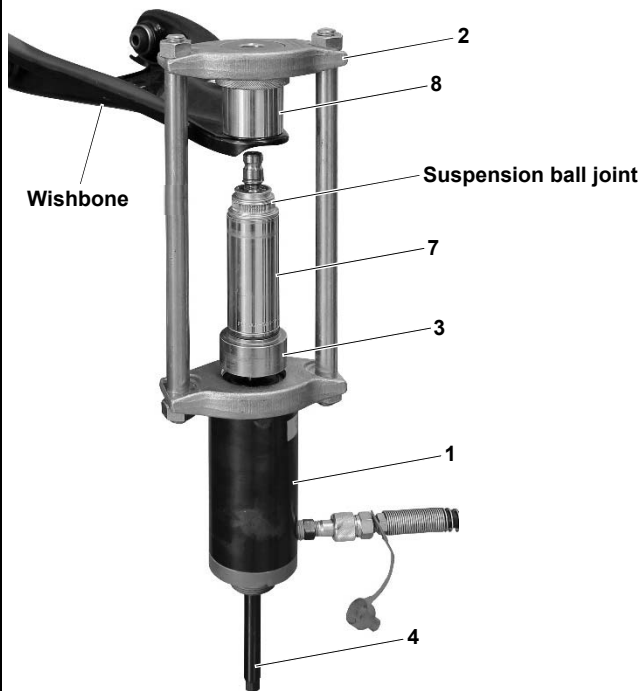


Fig. 7: Installing the suspension ball joint.

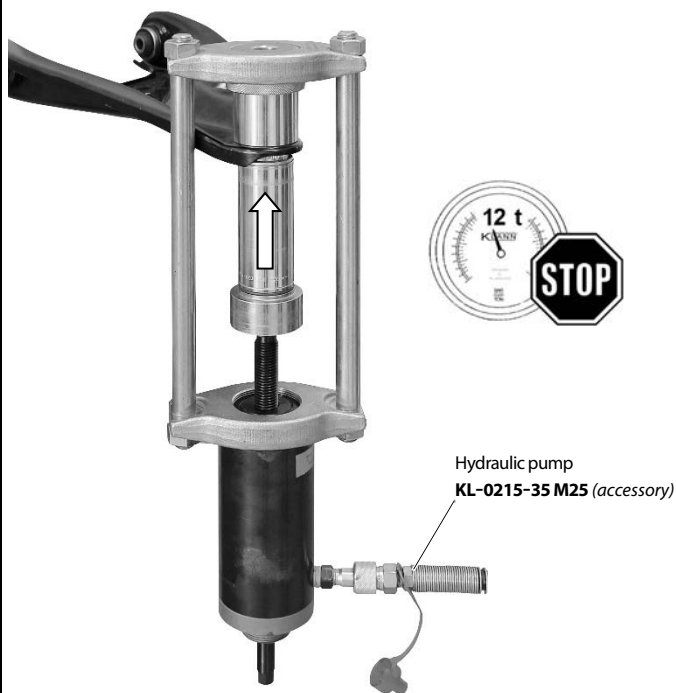
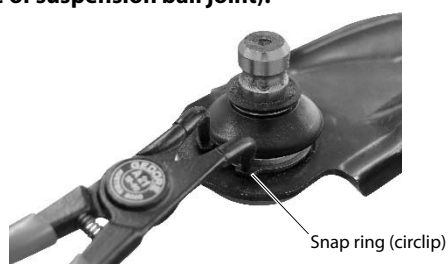


Fig. 8: Installing the snap ring if necessary (depending on type of suspension ball joint).



## 4.1.2 Installing the Suspension Ball Joint

### 1. **CAUTION**

The pressing device can cause injuries to feet if dropped.

- Secure pressing device against falling by means of safety belt **KL-0040-2590** (accessory) for example.
- Always wear safety shoes/boots.

Insert suspension ball joint along with press sleeve '7' and support sleeve '8' into pressing device. Next, apply the assembled unit against wishbone as shown in **Fig. 6**.

### 2. **ATTENTION**

Risk of damage to dust boot and suspension ball joint during installation.

Make sure support sleeve '8' is properly positioned on wishbone and aligned so as to enable the suspension ball joint to be installed without risk of collision.

Manually screw in pressure spindle '4' until suspension ball joint completely bears against the wishbone.

**NOTE:** Ensure that the dust boot of the suspension ball joint does not get pinched during installation.

3. Connect hydraulic cylinder '1' to hydraulic pump **KL-0215-35 M25** (accessory).

### 4. **WARNING**

When installing suspension ball joints, there is a danger of the tool breaking and falling to pieces.

This will lead to parts becoming projectiles.

- Observe and do not exceed the maximum load capacity of the pressing device.
- Use hydraulic pump with pressure gauge **KL-0040-2529**.
- Only use the genuine spare parts from GEDORE Automotive.
- Always keep all parts of your body away from the axial extension of the press frame.

### **ATTENTION**

Risk of damage to dust boot and suspension ball joint during installation.

- Ensure that the dust boot of the suspension ball joint does not get pinched during installation.
- Observe the installation position of the suspension ball joint specified by the vehicle manufacturer.

Operate hydraulic pump, install suspension ball joint. (**Fig. 7**) When installing the suspension ball joint, always monitor the hydraulic pressure and necessary force on the pressure gauge of the hydraulic pump.

5. Relieve pressure on hydraulic cylinder '1':  
Withdraw pressing device from wishbone.
6. Depending on the type of suspension ball joint, install snap ring in accordance with the manufacturer's instructions. (**Fig. 8**)
7. Reassemble vehicle in accordance with the manufacturer's instructions.



Fig. 9: Applying the press frame against the wishbone.

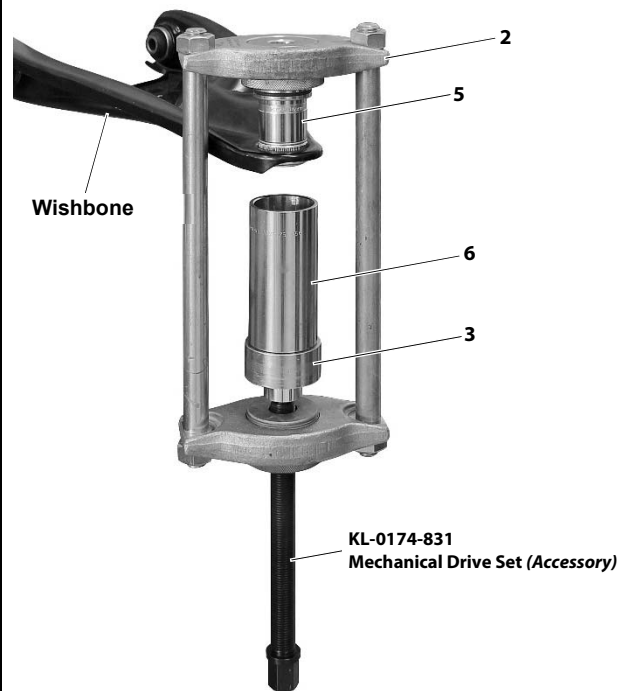
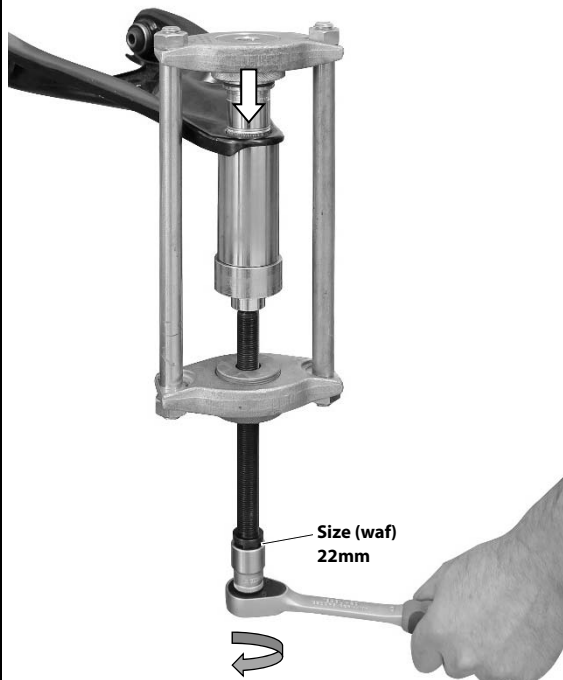


Fig. 10: Removing the suspension ball joint.



## 4.2 Suspension Ball Joint Removal/Installation (Mechanical drive):

The following instructions describe how to remove/install a suspension ball joint from/to the front lower wishbone on a Dacia Logan, by using the pressing device in conjunction with a mechanical drive.

(With Renault Clio II, the same procedure will apply.)

### 4.2.1 Removing the Suspension Ball Joint

#### 1. **CAUTION**

The pressing device can cause injuries to feet if dropped.

- Always wear safety shoes/boots.

Pre-assemble pressing device and apply it against wishbone as shown in **Fig. 9**.

#### 2. **ATTENTION**

Risk of damage to press sleeve '5' during the removal process.

- Remove dust boot from suspension ball joint to be replaced.
- Make sure that press sleeve '5' completely and properly bears against the suspension ball joint.

Manually screw in pressure spindle of mechanical drive set **KL-0174-831** (accessory) until support sleeve '6' completely bears against the wishbone.

#### 3. **WARNING**

When removing suspension ball joints, there is a danger of the tool breaking and falling to pieces.

This will lead to parts becoming projectiles.

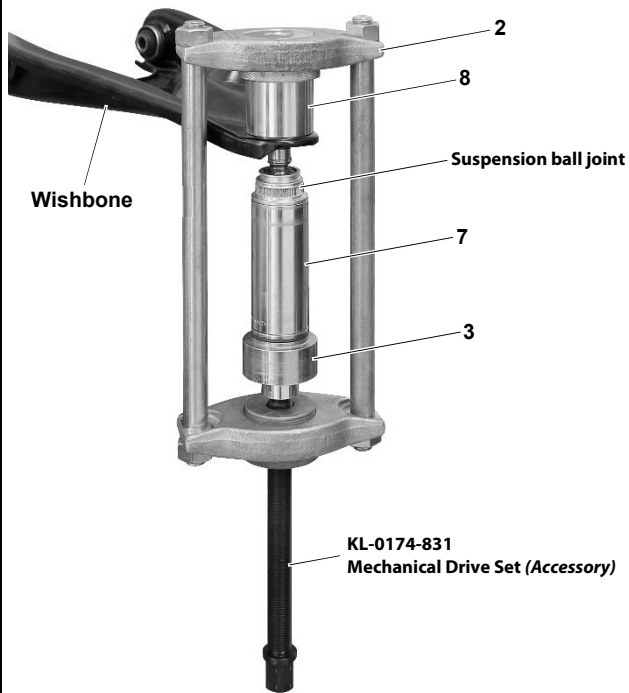
- Observe and do not exceed the maximum load capacity of the pressing device.
- Only use the genuine spare parts from GEDORE Automotive.
- Always keep all parts of your body away from the axial extension of the press frame.

Operate pressure spindle of mechanical drive set **KL-0174-831** (accessory) and remove suspension ball joint. (**Fig. 10**)

4. Relieve pressure spindle of mechanical drive set **KL-0174-831** (accessory) and withdraw pressing device along with suspension ball joint from wishbone.

5. Withdraw press sleeve '5' and support sleeve '6' from pressing device.

Fig. 11: Applying the press frame against the wishbone.



## 4.2.2 Installing the Suspension Ball Joint

### 1. **CAUTION**

The pressing device can cause injuries to feet if dropped.  
 • Always wear safety shoes/boots.

Insert suspension ball joint along with press sleeve '7' and support sleeve '8' into pressing device. Next, apply the assembled unit against wishbone as shown in **Fig. 11**.

### 2. **ATTENTION**

Risk of damage to dust boot and suspension ball joint during installation.

- Make sure support sleeve '8' is properly positioned on wishbone and aligned so as to enable the suspension ball joint to be installed without risk of collision.

Manually screw in the pressure spindle from the mechanical drive set **KL-0174-831** (accessory) until the suspension ball joint completely bears against the wishbone.

**NOTE:** Ensure that the dust boot of the suspension ball joint does not get pinched during installation.

### 3. **WARNING**

When installing suspension ball joints, there is a danger of the tool breaking and falling to pieces.

This will lead to parts becoming projectiles.

- Observe and do not exceed the maximum load capacity of the pressing device.
- Only use the genuine spare parts from GEDORE Automotive.
- Always keep all parts of your body away from the axial extension of the press frame.

### **ATTENTION**

Risk of damage to dust boot and suspension ball joint during installation.

- Ensure that the dust boot of the suspension ball joint does not get pinched during installation.
- Observe the installation position of the suspension ball joint specified by the vehicle manufacturer.

Operate pressure spindle of mechanical drive set **KL-0174-831** (accessory) and install suspension ball joint. (**Fig. 12**)

**NOTE:** Ensure that the dust boot of the suspension ball joint does not get pinched during installation.

4. Relieve pressure spindle of mechanical drive set **KL-0174-831** (accessory). Withdraw pressing device from wishbone.

5. Depending on the type of suspension ball joint, install snap ring in accordance with the manufacturer's instructions. (**Fig. 13**)

6. Reassemble the vehicle in accordance with the manufacturer's instructions.

Fig. 12: Installing the suspension ball joint.

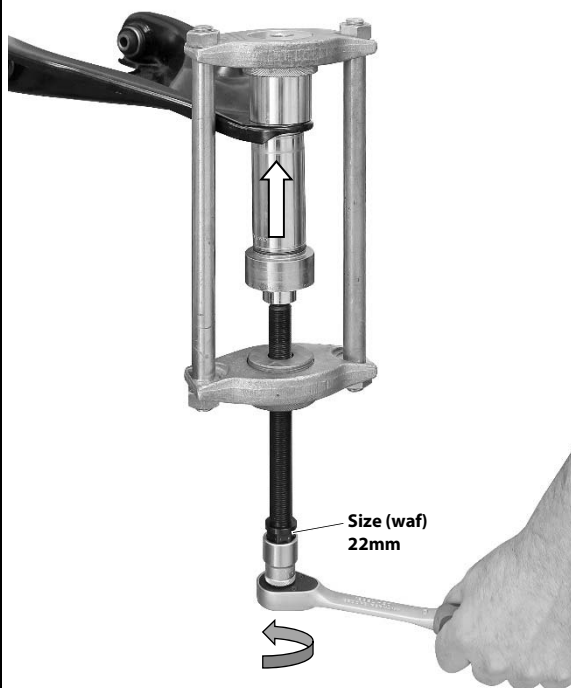


Fig. 13: Installing the snap ring if necessary (depending on the type of suspension ball joint).

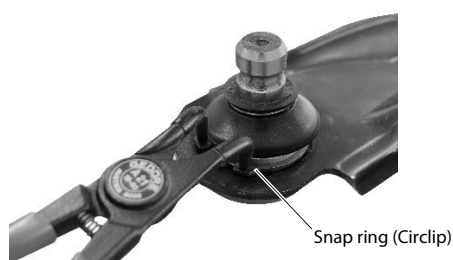


Fig. 14: Preparing the workshop press.

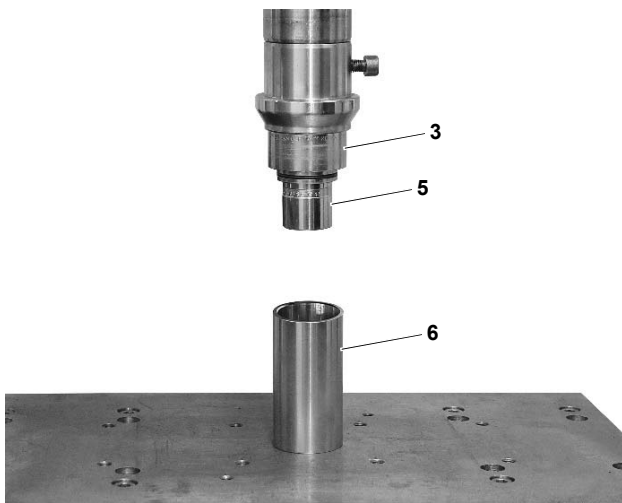


Fig. 15: Inserting the wishbone into the workshop press.

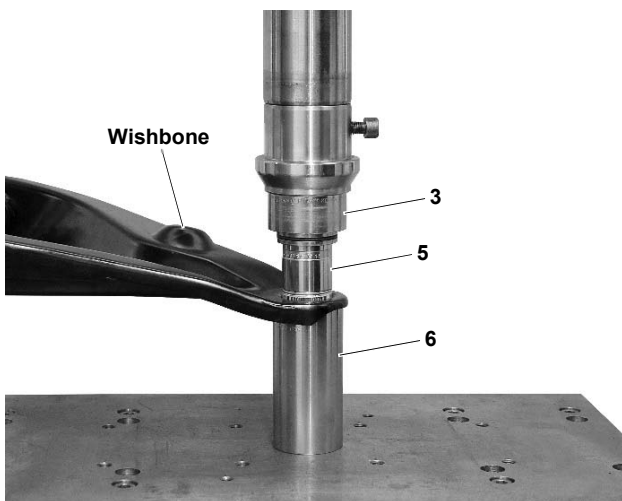
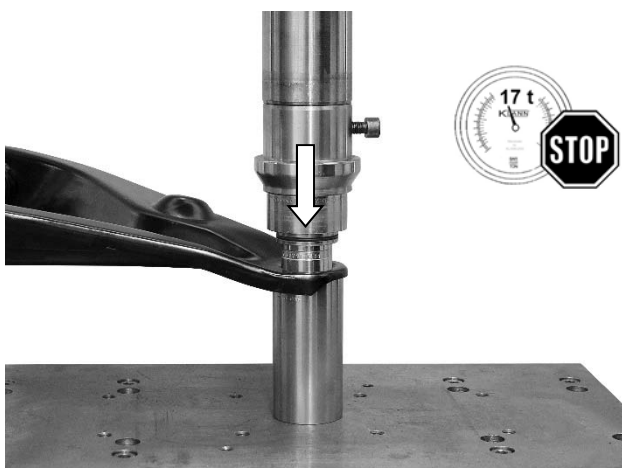


Fig. 16: Removing the suspension ball joint.



### 4.3 Suspension Ball Joint Removal and Installation (Workshop press):

The following instructions describe how to remove/install a suspension ball joint from/to the front lower wishbone of a Dacia Logan, by using the sleeve set in conjunction with a workshop press. (With Renault Clio II, the same procedure will apply.)

#### 4.3.1 Removing the Suspension Ball Joint

##### 1. ATTENTION

Risk of damage to press sleeve '5'.

- Press sleeve '5' may only be used in conjunction with retaining adaptor '3'.

Set up workshop press for suspension ball joint removal.

Get ready for use/insert press sleeve '5' along with retaining adaptor '3' and support sleeve '6' into workshop press. (Fig. 14)

##### 2. CAUTION

The wishbone can cause injuries to feet if dropped.

- Always wear safety shoes/boots.

Insert wishbone into workshop press as shown in Fig. 15.

##### 3. WARNING

When removing suspension ball joints with the aid of a workshop press, there is a danger of severe injuries caused by ejected parts, inappropriate support plates and operator errors.

- Observe and do not exceed the maximum load capacity of the sleeve set.
- Observe and do not exceed the maximum load capacity of the workshop press.
- Make sure you use support plates that are the right size, with the largest possible contact surface, and a load capacity of more than 17 tonnes.
- Ensure wishbone and press/support sleeves are perfectly aligned with the hydraulic cylinder of the workshop press.
- Make sure that support sleeve '6' is securely seated.
- Read and adhere to the workshop press manufacturer's safety instructions and regulations.
- Only use the genuine spare parts and accessories from GEDORE Automotive.

##### ATTENTION

Risk of damage to press sleeve '5' during removal.

- Remove dust boot from suspension ball joint to be replaced.
- Make sure that press sleeve '5' completely and properly bears against the suspension ball joint.
- Make sure support sleeve '6' is properly positioned on wishbone and aligned so as to enable the suspension ball joint to be removed without risk of collision.

Operate workshop press pump and remove suspension ball joint. (Fig. 16) When removing the suspension ball joint, always monitor the hydraulic pressure and necessary force on the pressure gauge of the workshop press pump.

4. Relieve pressure on workshop press and withdraw from press: wishbone, press sleeve, adaptor, support sleeve with suspension ball joint.

Fig. 17: Preparing the workshop press.

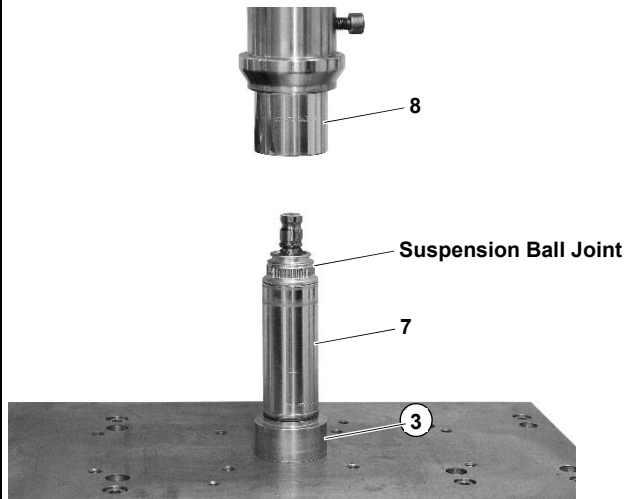


Fig. 18: Inserting the wishbone into the workshop press.

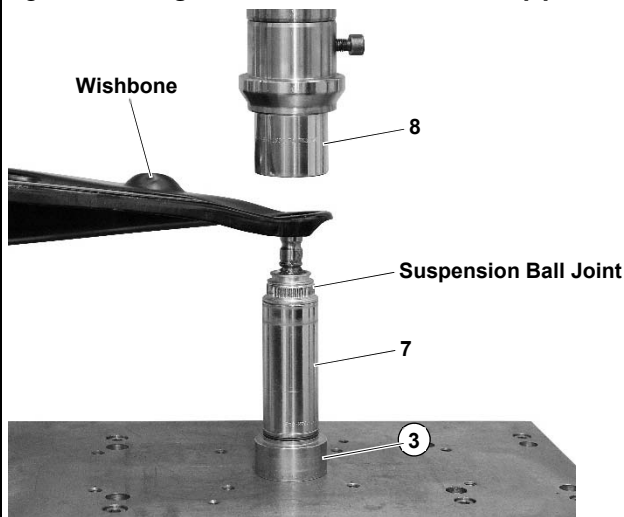


Fig. 19: Installing the suspension ball joint.

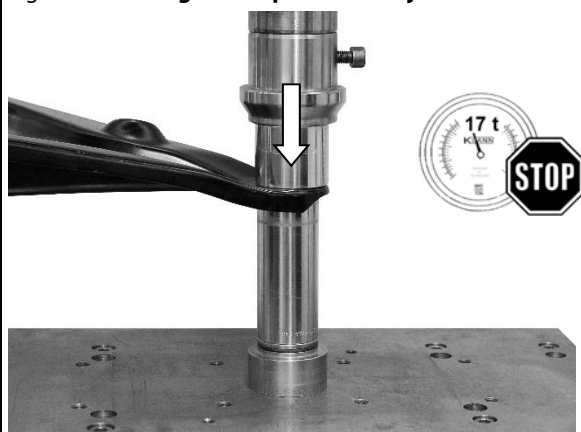
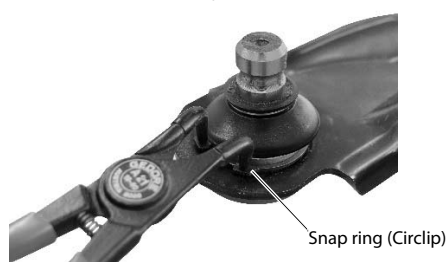


Fig. 20: Installing the snap ring if necessary (depending on type of suspension ball joint).



## 4.3.2 Installing the Suspension Ball Joint

### 1. ATTENTION

Risk of damage to press sleeve '7'.

- Press sleeve '7' may only be used in conjunction with retaining adaptor '3'.

Set up workshop press for suspension ball joint installation. Get ready for use/insert press sleeve '7' along with retaining adaptor '3'; and support sleeve '8' into workshop press. (Fig. 17)

### 2. CAUTION

The wishbone can cause injuries to feet if dropped.

- Always wear safety shoes/boots.

Insert wishbone into workshop press as shown in Fig. 18.

### 3. WARNING

When installing suspension ball joints with the aid of a workshop press, there is a danger of severe injuries caused by ejected parts, inappropriate support plates and operator errors.

- Observe and do not exceed the maximum load capacity of the sleeve set.
- Observe and do not exceed the maximum load capacity of the workshop press.
- Make sure you use support plates that are the right size, with the largest possible contact surface and a load capacity of more than 17 tonnes.
- Ensure wishbone, press sleeve and support sleeve are perfectly aligned with the hydraulic cylinder of the workshop press.
- Make sure that press sleeve '7' along with retaining adaptor '3' are securely seated.
- Read and adhere to the workshop press manufacturer's safety instructions and regulations.
- Only use the genuine spare parts and accessories from GEDORE Automotive.

### ATTENTION

Risk of damage to press sleeve '7' during installation.

Risk of damage to dust boot and suspension ball joint during installation.

- Ensure that the dust boot of the suspension ball joint does not get pinched during installation.
- Make sure press sleeve '7' completely and properly bears against the suspension ball joint.
- Make sure support sleeve '8' is properly positioned on wishbone and aligned so as to enable the suspension ball joint to be installed without risk of collision.
- Observe the installation position of the suspension ball joint specified by the vehicle manufacturer.

Operate pump of workshop press and install suspension ball joint. (Fig. 19) When installing the suspension ball joint, monitor the hydraulic pressure and necessary force on the pressure gauge of the workshop press pump.

**NOTE:** Ensure that the dust boot of the suspension ball joint does not get pinched during installation.

- Relieve pressure on workshop press and withdraw from press: wishbone with installed suspension ball joint, press sleeve, adaptor, support sleeve.
- Depending on the type of suspension ball joint, install snap ring in accordance with the manufacturer's instructions. (Fig. 20)
- Reassemble the vehicle in accordance with the manufacturer's instructions.

Fig. 21: Accessory: KL-0215-35 M25



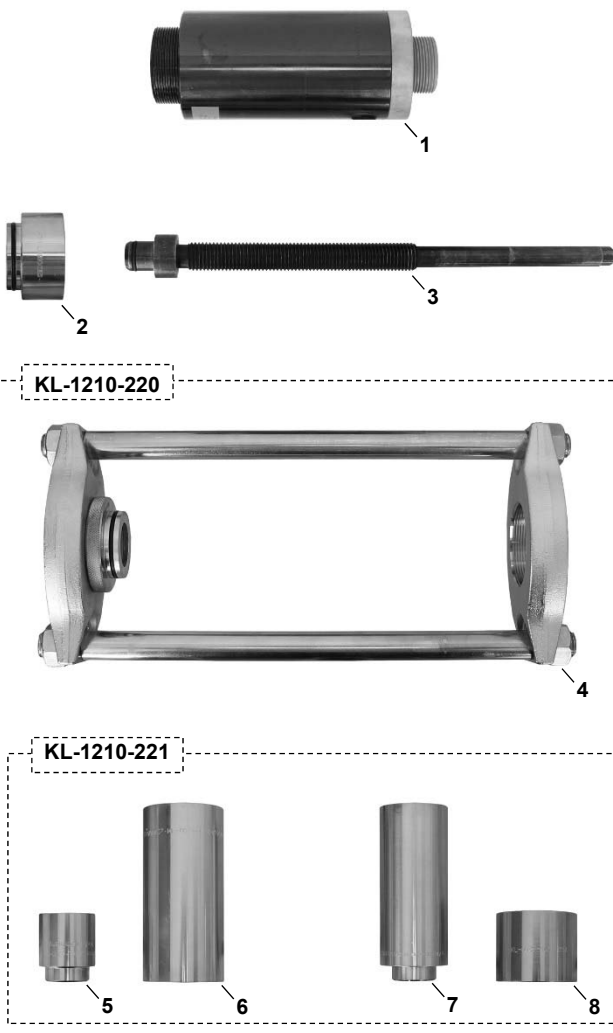
Fig. 22: Accessory: KL-0174-831



Fig. 23: Accessory: KL-0039-1002



Fig. 24: Spare Parts: KL-1210-22



## 5. Care and Storage

**ATTENTION** Petroleum ether and chemical solvents can damage plastic parts. After each use, clean all parts with a clean cloth only. In order to protect against corrosion, lightly lubricate all metal parts with oil after use and store them in a clean and dry place.

## 6. Accessories

### KL-0215-35 M25 Hydraulic Hand Pump

The hydraulic hand pump **KL-0215-35 M25** is used to drive the pressing device.

**NOTE:** When operating the pump, the hydraulic pressure and necessary force can be monitored on pressure gauge **KL-0040-2529**, (supplied with the tool set). The pressure gauge features an additional tonne scale that is precisely adapted to our **KL-0040-2500** hydraulic cylinder (17t).

### KL-0174-831 Mechanical Drive Set

The mechanical drive set **KL-0174-831** enables GEDORE Automotive pressing devices, for example those consisting of press frame **KL-0039-1140**, **KL-0326-1000** etc. and sleeves sets of the **KL-0039-Series**, to be driven mechanically.

### KL-0039-1002 Retaining Adaptor

The retaining adaptor is required if the **KL-1210-210** sleeve set is to be used in conjunction with a workshop press.

## 7. Maintenance and Repair by the GEDORE Automotive Service Centre.

For safety reasons, as soon as damage is noticed on the tool, immediate steps must be taken to prevent it from being used. For professional inspection and repair of the tool, please contact the GEDORE Automotive Service Centre.

**Address: GEDORE Automotive GmbH**  
Breslauerstraße 41 // 78166 Donaueschingen  
Phone: 0771 83 22 371 / Email: info@gedore-automotive.com

**For additional information concerning the use of our tool, please contact the GEDORE Automotive Service Centre.**

## 8. Spare Parts:

Pos.	Part No.	Description	Qty
-	KL-1210-22	Pressing Device with Hydraulic Cylinder for Suspension Ball Joint, Renault/Dacia 17t	1
<i>composed of:</i>			
-	KL-1210-220	Pressing Device without Hydraulic Cylinder for Suspension Ball Joint, Renault/Dacia	1
1	KL-0040-2500	Hydraulic Cylinder, 17t	1
2	KL-0039-1002	Retaining Adaptor	1
3	KL-0039-1930	Pressure Spindle, M20x350	1

Pos.	Part No.	Description	Qty
-	KL-1210-220	Pressing Device without Hydraulic Cylinder for Suspension Ball Joint, Renault / Dacia	1
<i>composed of:</i>			
-	KL-1210-221	Sleeve Set for Suspension Ball Joint, Renault / Dacia	1
4	KL-0039-1140	Press Frame (lightweight, short design)	1

Pos.	Part No.	Description	Qty
-	KL-1210-221	Sleeve Set for Suspension Ball Joint, Renault / Dacia	
<i>composed of:</i>			
5	KL-0711-1111	Press Sleeve, short, Ø 38mm	1
6	KL-0039-1754	Support Sleeve, long, Ø 54mm/Ø 46mm	1
7	KL-0039-1746	Press Sleeve, long, Ø 46mm/Ø 38mm	1
8	KL-0039-1654	Support Sleeve, short, Ø 54mm/Ø 46mm	1

## 9. Environmentally Safe Disposal

Recycle/dispose of the pressing device and its packaging material in an environmentally sound manner in compliance with the legal rules and regulations in force.

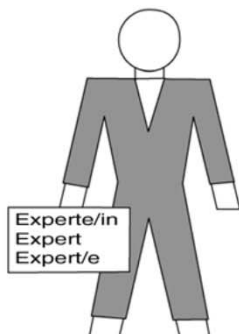


TOOLS FOR LIFE

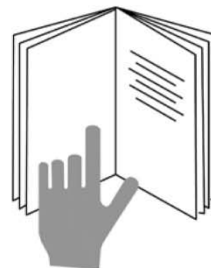
Notizen:

A series of horizontal lines for writing notes, starting below the 'Notizen:' label and extending across the width of the page.

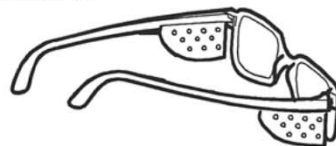
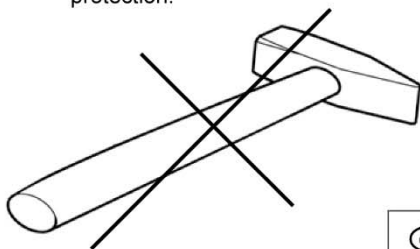
- de **Produkt-Information komplett durchlesen und verstehen.**
- en **Carefully read the Product Information and make sure you have understood it correctly.**
- fr **Lisez entièrement l'information produit et assurez-vous de l'avoir bien comprise.**



- de **Vorschriften und Hinweise beachten**
- en **Observe warnings and notes**
- fr **Respecter les prescriptions et les remarques.**



- de **Sicherheitsvorkehrungen treffen**
  - Werkzeug mit Sicherheitshaltegurt gegen Herunterfallen sichern.
  - Schutzausrüstungsvorgaben der Berufsgenossenschaft beachten.
- en **Ensure all safety measures are in place to avoid injury/potential hazards**
  - Secure the hydraulic cylinder with a safety belt to prevent it from falling.
  - Always follow the procedures and precautions within the operator instruction manual; failure to do this could result in serious injury and could invalidate your warranty and insurance.
- fr **Prendre toutes les mesures de sécurité nécessaires**
  - Sécuriser le cylindre hydraulique contre les chutes à l'aide de la sangle de sécurité.
  - Respecter les prescriptions du Syndicat Professionnel en matière d'équipements de protection.



- de **Pflege und Reinigung**
- en **Care and cleaning**
- fr **Entretien et nettoyage**








## GEDORE Automotive GmbH


Breslauer Strasse 41  
78166 Donaueschingen

Postfach 1329  
78154 Donaueschingen - GERMANY

 +49 (0) 771 / 8 32 23-0

 +49 (0) 771 / 8 32 23-90

 [info@gedore-automotive.com](mailto:info@gedore-automotive.com)

 [www.gedore-automotive.com](http://www.gedore-automotive.com)

[www.gedore-automotive.com](http://www.gedore-automotive.com)