

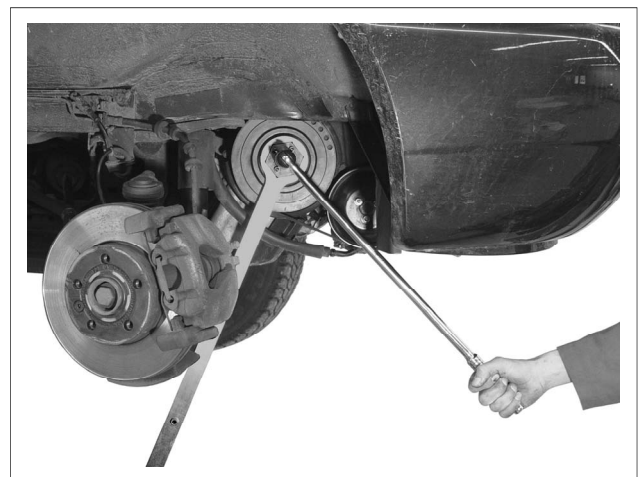
GEDORE

TOOLS FOR LIFE

Swivel Head Breaker Bar, 1/2", 620 mm



KL-4007-311



4007-311e170405.docx

GEDORE Automotive GmbH

Breslauer Straße 41
78166 Donaueschingen

Postfach 1329
78154 Donaueschingen - GERMANY

Phone: +49 (0) 771 / 8 32 23-0
Fax: +49 (0) 771 / 8 32 23-90

Email: info@gedore-automotive.com
Internet: www.gedore-automotive.com

KL-4007-311



**KL-4007-311 - Swivel Head Breaker Bar,
1/2", 620 mm**

Extra long design (620 mm), with 180° swivel head.

Ideal for loosening very tight/stuck screws.

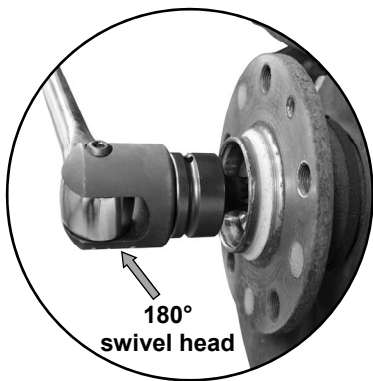
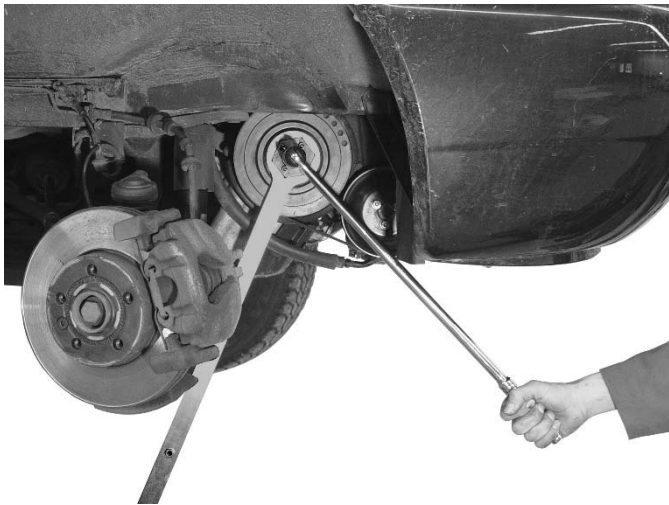
Technical Data

Drive: 1/2"

Overall length: 620 mm

Working load max.: 512 Nm

Example of use:



Warnings and Notes

- Before putting the tool into operation, carry out a visual check to ensure that it is not damaged.
- Any work on vehicle axles should only be performed by qualified personnel observing and strictly complying with the directions, provisions and safety regulations specified by the vehicle manufacturer!
- Always refer to the vehicle manufacturer's data and instructions as only these apply to all work that is carried out on the vehicle.