

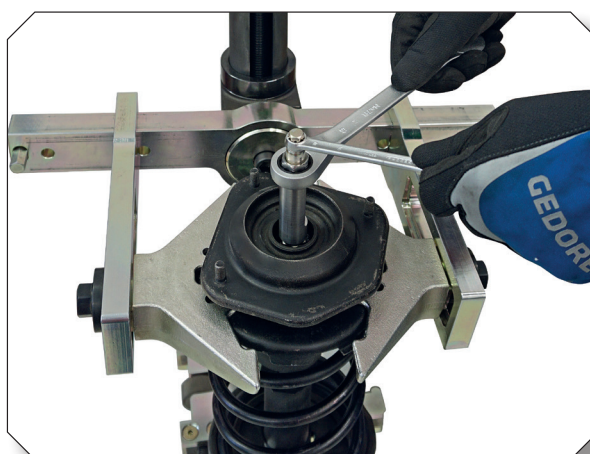


KL-0056-11 EA

Shock Absorber Piston Rod Tool Kit



Product information EN
 ⚠ Read and understand before use!



www.gedore-automotive.com



GEDORE Automotive GmbH

Breslauer Straße 41
 78166 - Donaueschingen
 Postfach 1329
 78154 Donaueschingen - GERMANY

☎ +49 (0) 771 / 8 32 23-0
 ☎ +49 (0) 771 / 8 32 23-90
 ✉ info.gam@gedore.com
 🌐 gedore-automotive.com

GEDORE TOOLS, INC.

Only for USA, Canada & Mexico / Sólo para EE.UU., Canadá y México
 Seulement pour les USA, le Canada et le Mexique
 7187 Bryhawke Circle, Suite 700
 North Charleston, SC 29418, USA

☎ +1-843 / 225 50 15
 ☎ +1-843 / 225 50 20
 ✉ info@gedoretools.com
 🌐 gedore.com

Version 07/2023

KL-0056-11EA (EN230707).indd

PRODUCT DESCRIPTION

KL-0056-11 EA - Shock absorber piston rod tool kit

Fits universally for MacPherson struts on passenger cars.

For quick loosening and tightening of the piston rod nut on MacPherson struts. Required, for example, when replacing the shock absorber or the suspension spring. The special holders and the large number of interchangeable screwdriver bits and sockets also allow the shock absorber piston rod to be properly held in place through the open side deep sockets. The ring ratchet wrench included in the kit facilitates and speeds up this work.

Recommended accessories: Reversible ratchet with 19mm hexagonal mount - **1993 U-20 SK**

Storage system: Plastic case - **KL-4990-9372**

EN



Scope of supply/component overview

Item	Part no.	Description	Qty.
A	7 R 19	Open-ended spanner with ring ratchet, 19mm	1
B	7 XL 10	Combination spanner, 10mm	1
C Holder for screwdriver bits and sockets			
C1	KL-0056-1131	Holder for screwdriver bits 5/16"	1
C2	KL-0056-1132	Holder for sockets 1/4"	1
D Screwdriver bits 5/16"			
D1	KL-0056-1141	Screwdriver bit, size 5mm	1
D2	KL-0056-1142	Screwdriver bit, size 6mm	1
D3	KL-0056-1143	Screwdriver bit, size 7mm	1
D4	KL-0056-1144	In-hex socket T50	1
D5	KL-0056-1145	In-hex socket XZN12	1
E Sockets 1/4"			
E1	KL-0056-1151	Socket, 2-edge, 6mm	1
E2	KL-0056-1152	Socket, 2-edge, 7mm	1
E3	KL-0056-1153	Socket, 2-edge, 8mm	1
F Open side deep sockets			
F1	KL-0056-1116	Open side deep socket, size 16mm	1
F2	KL-0056-1117	Open side deep socket, size 17mm	1
F3	KL-0056-1118	Open side deep socket, size 18mm	1
F4	KL-0056-1119	Open side deep socket, size 19mm	1
F5	KL-0056-1121	Open side deep socket, size 21mm	1
G Lock nut spanner			
G1	KL-0050-51 A	Lock nut spanner (Mercedes)	1
Z	1993 U-20 SK	Reversible ratchet with 19mm hexagonal mount (available as an accessory!)	1
-	KL-0056-1190-1	Foam insert	1

EN

Specifications

Open side deep socket: Sizes 16/17/18/19/21mm
 Screwdriver bit: Sizes 5/6/7mm/T50/XZN12
 Socket, 2-edge: Sizes 6/7/8mm
 Drive for open side deep sockets: Size 19mm
 Drive of holder: Size 10mm
 Holder for screwdriver bits: 5/16"
 Holder for sockets: 1/4"

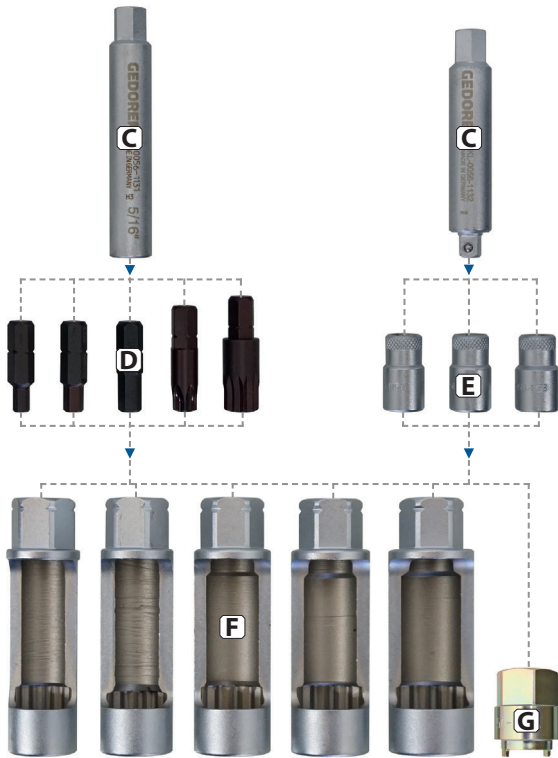
SAFETY INSTRUCTIONS AND REGULATIONS

- Read and understand this product information **before using** the special tool, as it serves to familiarise you with the special tool and thus ensures **safe use!**
- Use the special tool **as intended** and **always** carry out maintenance and repair work in compliance with the regulations on occupational safety and accident prevention as well as the vehicle manufacturer's instructions!
- Before each use**, check the special tool **carefully** for damage, loose parts, or unauthorised modifications. **Never** use it if you notice any such deficiencies!
- Always** wear your personal protective equipment, e.g. safety goggles, protective gloves, safety shoes, if necessary!
- Interrupt your work **immediately** if you are unsure about using the special tool, and contact **GEDORE Automotive GmbH** if necessary!
- Dispose of the special tool and its packaging material in an environmentally compatible way in accordance with the legal requirements. If necessary, ask your local authorities or **GEDORE Automotive GmbH** about environmentally friendly disposal options!

TYPICAL APPLICATION

This typical application describes how to assemble a shock absorber piston rod key.

📷1: Assemble the shock absorber piston rod key to fit...



1. Assemble the shock absorber piston rod key to match the piston rod and piston rod nut as shown.
- ❶ For other shock absorber piston rod keys, see the **GEDORE-Automotive** catalogue.



📷2: Typical application



⚠️ WARNING

Opening the piston rod nut on the suspension strut can cause the suspension spring to suddenly relax and spin around! This can cause **DEATH** or **SEVERE INJURIES!**

▼ The piston rod nut must **never** be loosened before it or the suspension strut have been properly and safely clamped in a spring compressor!

2. Before loosening the piston rod nut, clamp the shock absorber properly and securely in a suitable spring compressor according to the **manufacturer's specifications**.

❶ Suitable spring compressors e.g. **KL-0015, KL-9002, KL-5501**, see **GEDORE-Automotive** catalogue.

Recommended accessories:

GEDORE 1993 U-20 SK - Reversible ratchet with 19mm hexagonal mount

Alternative to open-end spanner with ring ratchet [A]. Enables convenient drive of the shock absorber piston rod key. A space is already provided for this in the foam insert of the tool kit.