



## KL-1070-11/..Series Impact Hexagon Wrench Set



**Product information** EN  
 Read and understand before use!



[www.gedore-automotive.com](http://www.gedore-automotive.com)



**GEDORE Automotive GmbH**  
 Breslauer Straße 41  
 78166 - Donaueschingen  
 Postfach 1329  
 78154 Donaueschingen - GERMANY

☎ +49 (0) 771 / 8 32 23-0  
 ☎ +49 (0) 771 / 8 32 23-90  
 ✉ info.gam@gedore.com  
 🌐 gedore-automotive.com

**GEDORE TOOLS, INC.**

Only for USA, Canada & Mexico / Sólo para EE.UU., Canadá y México  
 Seulement pour les USA, le Canada et le Mexique  
 7187 Bryhawke Circle, Suite 700  
 North Charleston, SC 29418, USA

☎ +1-843 / 225 50 15  
 ☎ +1-843 / 225 50 20  
 ✉ info@gedoretools.com  
 🌐 gedore.com

Version 4- 12/2021

## Product description

### KL-1070-11- Impact hexagon wrench set

Suitable for brake calliper screw connections with SK profile, on the front and rear axles of e.g. Mercedes Benz Atego and Actros; MAN TGL; DAF 105 and DAF 106; Renault 12t; Volvo; Iveco Stralis, Daily and Eurocargo; Scania as well as Kässbohrer buses.

The impact wrench set is particularly suitable for easy loosening and tightening of brake calliper bolts, even in hard-to-reach places.

The 3/4" square socket on the impact wrench and, due to the extended leverage, the engraved torque conversion formula, allow the bolted connection to be tightened professionally with a torque wrench.

#### Recommended accessories:

**8563- 10** - Torque wrench 155- 760Nm

**600 H-2000** - Hammer 2kg

EN



### Scope of delivery/component overview

Item	Part no.	Description	Qty.
A	KL-1070-1118	Impact hexagon wrench (size 18mm)	1
B	KL-1070-1122	Impact hexagon wrench (size 22mm)	1
C	KL-1070-1124	Impact hexagon wrench (size 24mm)	1
D	KL-1070-1126 B	Impact hexagon wrench (size 26mm)	1
E	KL-1070-1127	Impact hexagon wrench (size 27mm)	1
F	KL-1070-1130	Impact hexagon wrench (size 30mm)	1

### Specifications

Sizes:..... 18, 22, 24, 26, 27, 30mm

Profile: ..... Hexagon

Drive: ..... 3/4"

### ⚠ Safety instructions and regulations

- Maintenance and repairs on motor vehicles may only be carried out by trained specialists in specialist automotive workshops, observing occupational safety and accident prevention as well as the vehicle manufacturer's instructions.
- Before use, make sure that the tool is undamaged. Replace damaged or worn parts.
- Always observe the vehicle-specific application procedures in the vehicle manufacturer's repair guide.
- Given vehicle-specific data are subject to change.

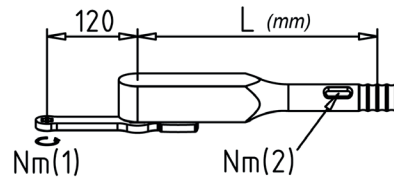
**1:** Typical application



**Torque conversion formula**

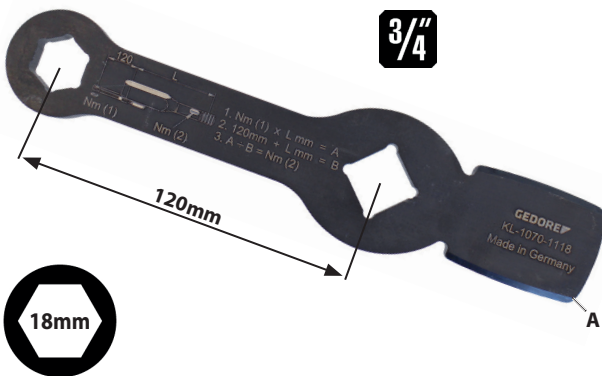
**CAUTION**

When tightening a screw connection with the impact wrench, **it is essential** to recalculate the required torque using the torque conversion formula due to the extended leverage:



1.  $Nm(1) \times L = A$
2.  $120 + L = B$
3.  $A \div B = Nm(2)$

**2:** KL-1070-1118



**Overview impact wrench series**

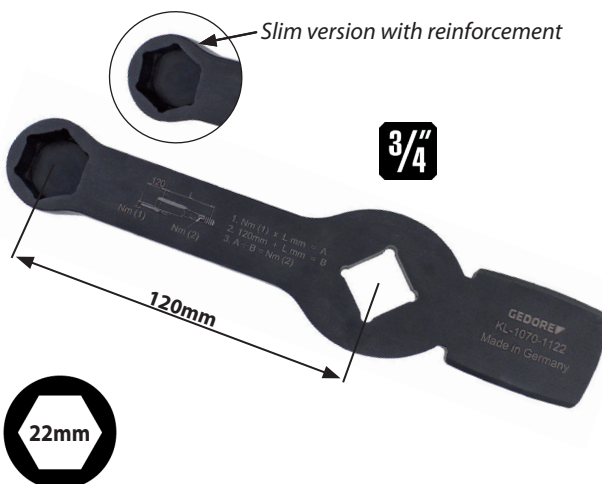
**KL-1070-1118**  
**Impact hexagon wrench (size 18mm)**

Suitable for brake calliper screw connections with SK profile, on front and rear axle on e.g. DAF; Renault 12t.

**Specifications**

Sizes:.....18mm  
Profile: ..... Hexagon  
Drive: ..... 3/4"  
Length: ..... 219mm

**3:** KL-1070-1122



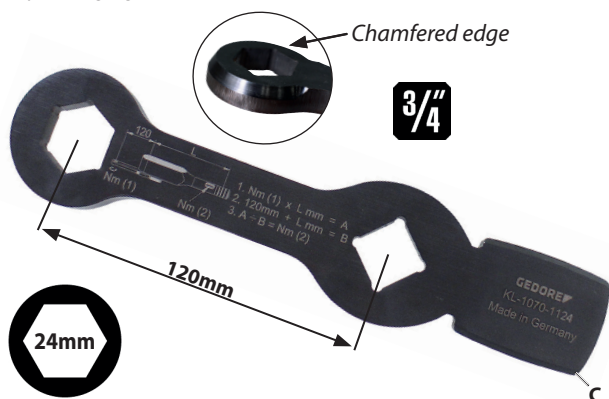
**KL-1070-1122**  
**Impact hexagon wrench (size 22mm)**

Suitable for brake calliper screw connections with SK profile on the front axle on e.g. MAN TGL; Iveco Daily and Eurocargo.

**Specifications**

Sizes:.....22mm  
Profile: ..... Hexagon  
Drive: ..... 3/4"  
Length: ..... 217mm

📷4: KL-1070-1124



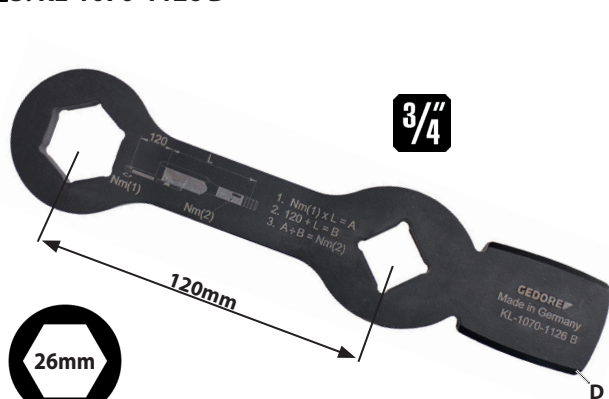
**KL-1070-1124**  
**Impact hexagon wrench (size 24mm)**

Suitable for brake calliper screw connections with SK profile on the front axle on e.g. Mercedes Benz Atego and Actros.

**Specifications**

Sizes:.....24mm  
Profile: ..... Hexagon  
Drive: ..... 3/4"  
Length: ..... 225mm

📷5: KL-1070-1126 B



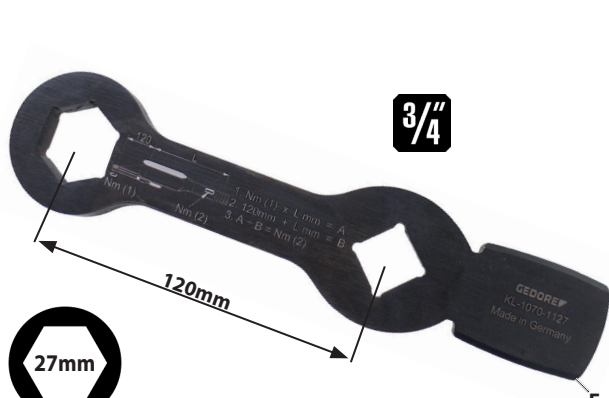
**KL-1070-1126 B**  
**Impact hexagon wrench (size 26mm)**

Suitable for brake calliper screw connections with SK profile on the front axle on e.g. DAF 105 and DAF 106.

**Specifications**

Sizes:.....26mm  
Profile: ..... Hexagon  
Drive: ..... 3/4"  
Length: ..... 226mm

📷6: KL-1070-1127



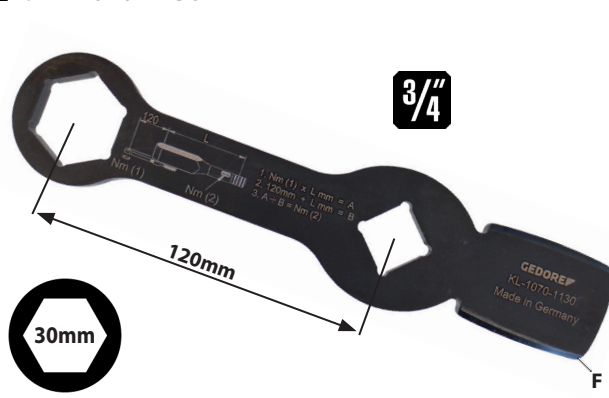
**KL-1070-1127**  
**Impact hexagon wrench (size 27mm)**

Suitable for brake calliper screw connections with SK profile on the front axle on e.g. Volvo; Renault; Mercedes Benz Actros and Atego as well as Kässbohrer buses.

**Specifications**

Sizes:.....27mm  
Profile: ..... Hexagon  
Drive: ..... 3/4"  
Length: ..... 226mm

📷7: KL-1070-1130



**KL-1070-1130**  
**Impact hexagon wrench (size 30mm)**

Suitable for brake calliper screw connections with SK profile, on front and rear axle on e.g. Iveco Stralis as well as Scania.

**Specifications**

Sizes:.....30mm  
Profile: ..... Hexagon  
Drive: ..... 3/4"  
Length: ..... 224mm