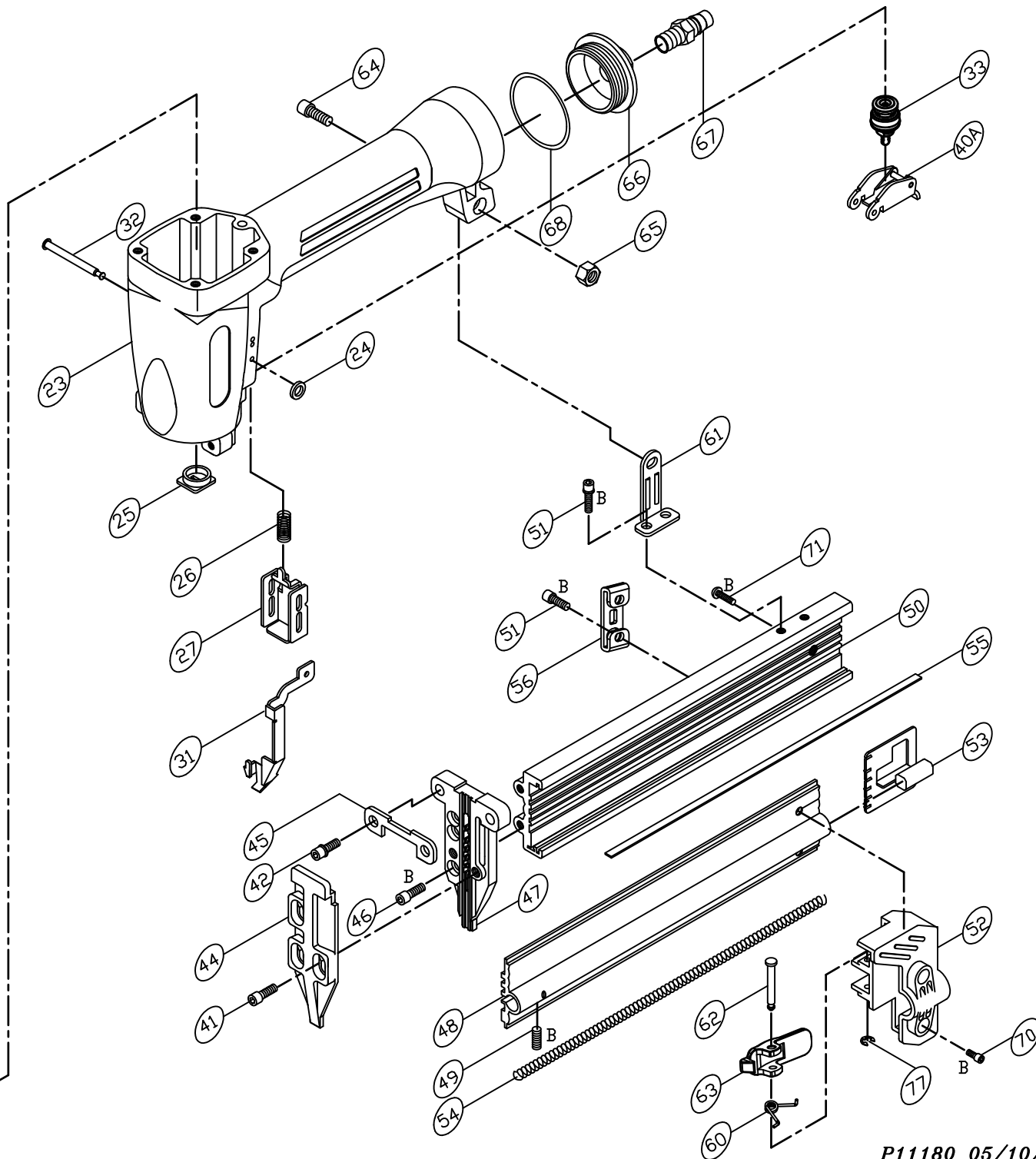
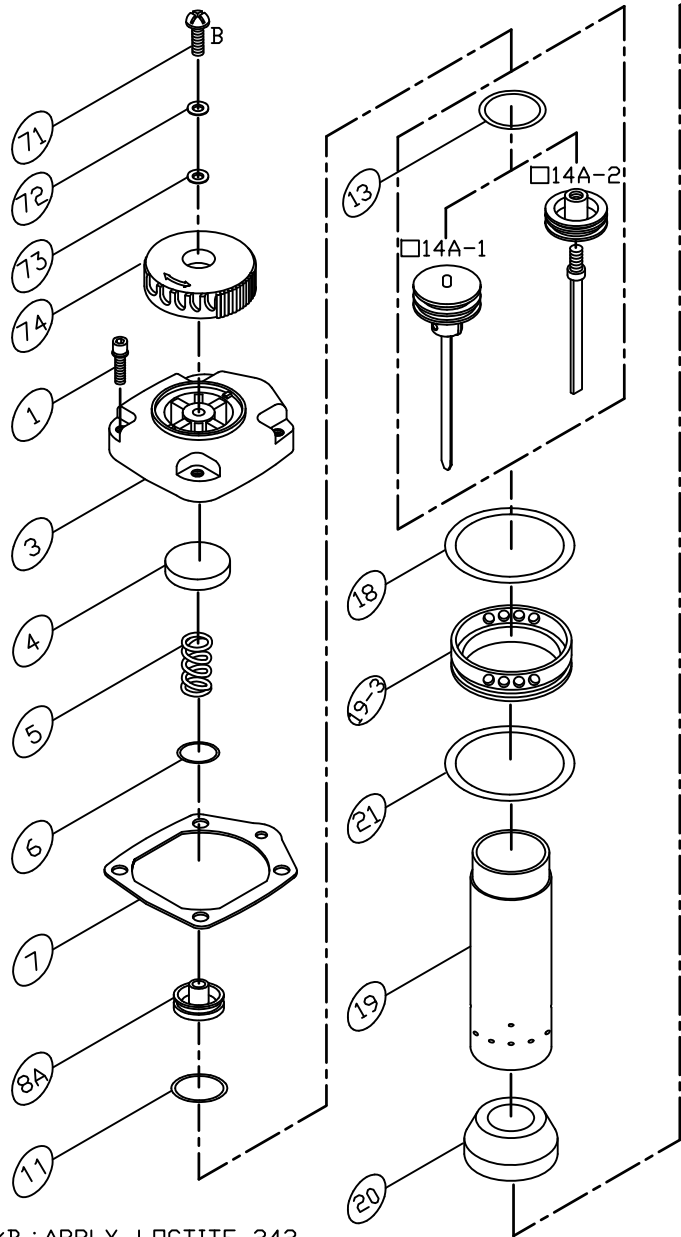


MODEL : 1AC/J-32



*B : APPLY LOCTITE 242

P11180 05/10/2018

PARTS LIST (1AC/J-32)

***WHEN ORDERING SPARE PARTS, PLEASE STATE ITEM No, PART NO. AND DESCRIPTION.**

ITEM	PART NO	DESCRIPTION	QTY	ITEM	PART NO	DESCRIPTION	QTY	ITEM	PART NO	DESCRIPTION	QTY
01	HS05080BW-16	HEX. SOC. HD. BOLT+SW	4	51	HS04070B-06	HEX. SOC. HD. BOLT	4				
03	11100302	CAP	1	52	11105202	END CORE	1				
04	12100401	SEAL**	1	53	12105301	PUSHER	1				
05	12100501	SPRING**	1	54	12105401	SPRING**	1				
06	OR13824N	O RING**	1	55	12105501	NAIL GUIDE LINER	1				
07	11100702	GASKET**	1	56	15108601	SET PLATE	1				
08A	12100801A	HEAD VALVE ASM.	1	60	32906001	SPRING	1				
11	OR31824N	O RING**	1	61	11106102	BRACKET	1				
13	OR22431N	O RING**	1	62	13908401	STEPPED PIN	1				
14A-1	11001401A	DRIVER ASSEMBLY**	1	63	13908102	STOPPER	1				
14A-2	11001402A	DRIVER ASSEMBLY**	1	64	HS05080B-16	HEX. SOC. HD. BOLT	1				
18	OR44431N	O RING**	1	65	LN0500N	LOCK NUT	1				
19	11101904	CYLINDER	1	66	11106601	COVER	1				
19-3	11101903	COLLAR	1	67	12106401	AIR PLUG	1				
20	11002001	BUMPER**	1	68	OR40030N	O RING**	1				
21	OR28318N	O RING**	1	70	HS04070B-08	HEX. SOC. HD. BOLT	2				
23	11102307	BODY	1	71	US05080B-06	UM. HD. BOLT	2				
24	OR01919N	O RING**	2	72	FW050120B-10	FLAT WASHER	1				
25	10902501	JOINT GUIDE	1	73	12103301	SEAL	1				
26	11002601	SPRING	1	74	13907403	EXHAUST COVER	1				
27	11002704	GUIDE SAFETY LEVER	1	77	ER0250R	E RING	1				
31	11003101	SAFETY LEVER	1								
32	11103201	STEPPED PIN	2								
33	11006903A	TRIGGER VALVE ASSEMBLY^	1								
40A	15104501A	TRIGGER ASSEMBLY	1								
41	HS05080B-10	HEX. SOC. HD. BOLT	3								
42	HS05080BW-20	HEX. SOC. HD. BOLT+SW	2								
44	12104404	DRIVER GUIDE COVER	1								
45	12104501	SET PLATE	1								
46	HS04070B-12	HEX. SOC. HD. BOLT	2								
47	12104701	DRIVER GUIDE	1								
48	11004802	MAGAZINE COVER	1								
49	SS04070B-12	SET SCREW	1								
50	11105002	MAGAZINE	1								